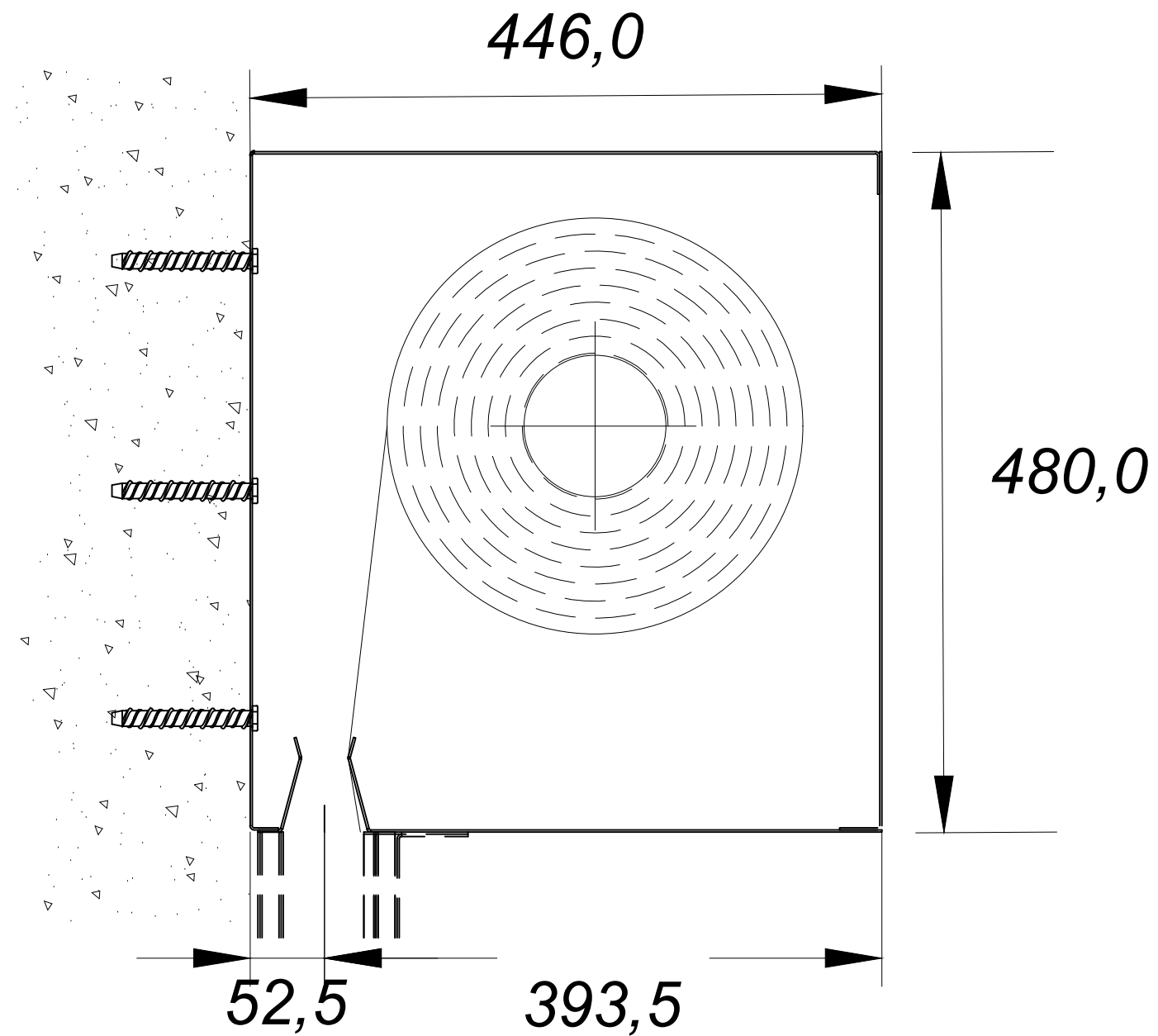


Side Guide



Headbox

Product	Max Width	Max Drop	Fabric
FM Insul8	7 metres	3.35 metres	FMI 90

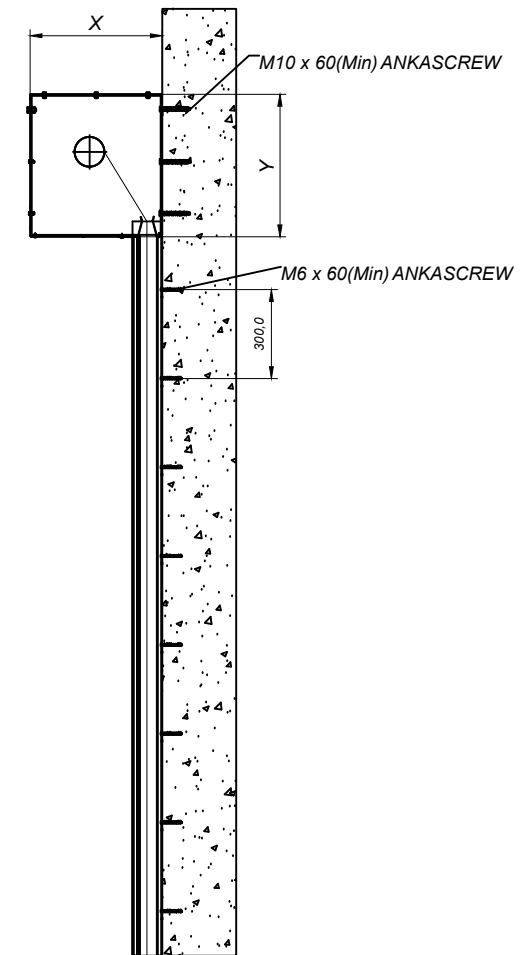
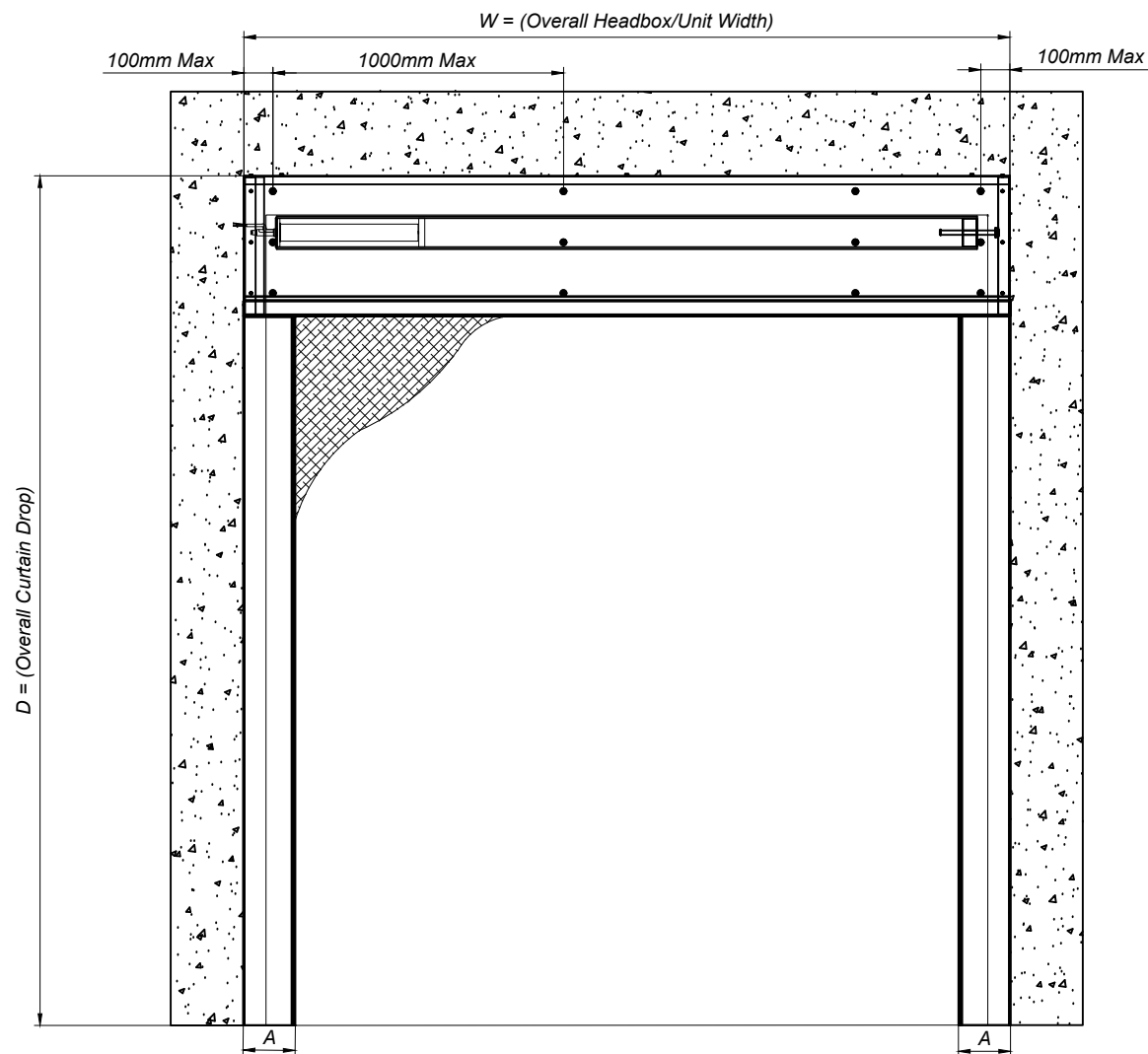
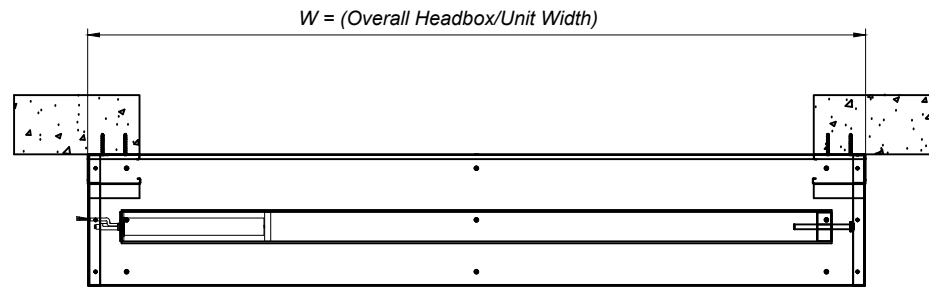


Ignis House, Houghton Avenue
Waterlooville, Hampshire
PO7 3DU, UK

Tel: +44 (0)2392 454 405

Email: info@coopersfire.com
Web: www.coopersfire.com

DRAWN: JAR	TITLE: FireMaster® Insul8 - E240 EW240 EI90 446 x 480 Headbox & Side Guide Details	
CHECKED: RW	© COOPERS FIRE LIMITED ALL RIGHTS RESERVED. THIS DESIGN MAY NOT BE REPRODUCED IN ANY MATERIAL FORM, INCLUDING ELECTRONICALLY WITHOUT THE WRITTEN PERMISSION OF THE COPYRIGHT NAMES	ALL DIMENSIONS IN MILLIMETRES UNLESS OTHERWISE STATED
APPROVED: RW	DRG. No. 606_2129_MK_B	ISSUE: 2 DATE: 20.05.24



HEADBOX		OVERALL DIMENSION		
X(mm)	Y(mm)	W	D	A(mm)
446	480	7m	3.35m	178



Ignis House, Houghton Avenue
Waterlooville, Hampshire
PO7 3DU, UK
Tel: +44 (0)2392 454 405
Email: info@coopersfire.com
Web: www.coopersfire.com

DRAWN:	JAR	TITLE:	FireMaster® Insul8 E240 EW240 EI 90 Curtain Sizes
CHECKED:	RW	© COOPERS FIRE LIMITED ALL RIGHTS RESERVED. THIS DESIGN MAY NOT BE REPRODUCED IN ANY MATERIAL FORM, INCLUDING ELECTRONICALLY WITHOUT THE WRITTEN PERMISSION OF THE COPYRIGHT NAMES	ALL DIMENSIONS IN MILLIMETRES UNLESS OTHERWISE STATED
APPROVED:	RW	DRG. No.	606_2128_MK
		ISSUE:	2
		DATE:	20.05.24

NOTE	COMMENT
1	HIGH DENSITY RIGID SUPPORTING CONSTRUCTION AS PER EN 1363-1
2	FIXING TO HOLLOW BRICK, BLOCK OR SIMILAR STRUCTURE IS NOT PERMITTED
3	